

Computer Science CSCI 251

Systems and Networks

Dr. Peter Walsh

Department of Computer Science

Vancouver Island University

peter.walsh@viu.ca

Internet Protocols

- the Internet is a *packet switching* network (as opposed to *circuit switching*)
- two computing systems communicate by sending *messages*
- messages are split into *packets*
- packets are viewed as a sequence of *fields*
- depending on the protocol, a packet is re-termed as a *frame*, a *datagram* or a *segment*

TCP/IP Terminology

Applications

- FTP
- SSH (message)
- Echo Client/Server

messages

Transport

- UDP (datagram)
- TCP (segment)

packets

Network

- IP (datagram)

Link

- Ethernet (frame)

Packet Headers

- <https://www.sans.org/security-resources/tcpip.pdf>

Application

Message

UDP Payload

Transport (UDP)

UDP Header | Message

IP Payload

Network (IP)

IP Header | UDP Header | Message

Ethernet Payload

Link (Ethernet)

Ethernet Header | IP Header | UDP Header | Message

Internet Addresses

- MAC (media access control)
 - Ethernet, 48 bits (6 octets, 6x8 or 12x4 bits)
 - e.g. 8c:c1:21:a7:52:33
- IP (internet protocol v4)
 - 32 bits (4 octets, 4x8 bits)
e.g., 192.168.0.12
 - CIDR (Classless Inter-Domain Routing)
address divided into network prefix and host identifier e.g., 192.168.0.12/24
leftmost 24 bits correspond to network prefix
rightmost 8 bits correspond to host identifier
- Port
 - 16 bits for UDP applications
 - 16 bits for TCP applications

Network Connecting Devices

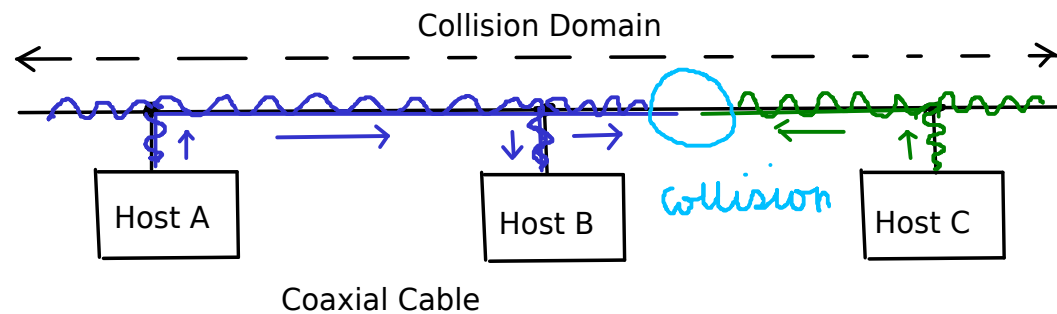
- Router
 - knows about IP addresses

- Switch
 - knows about MAC addresses

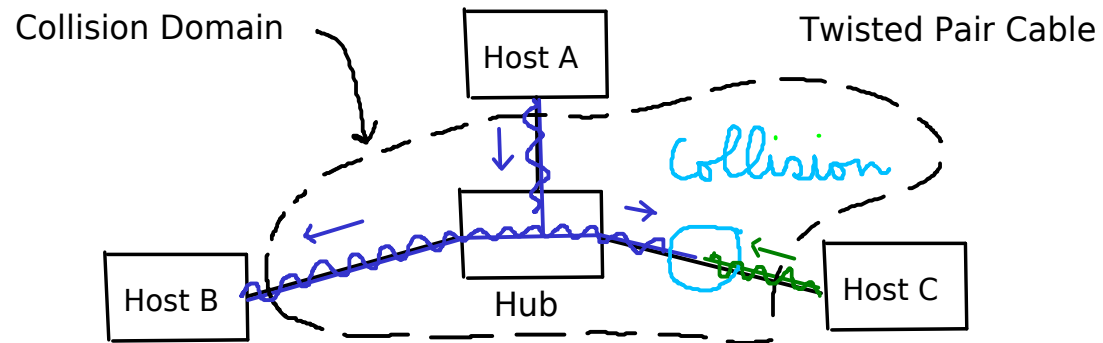
- Hub
 - knows nothing!!

LAN Broadcast Communication

- Hosts A and C attempt to transmit a packet

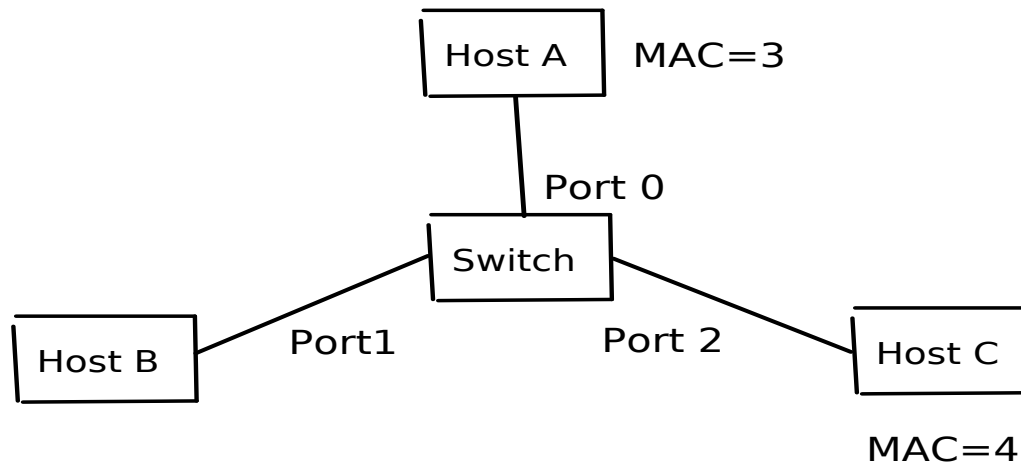


CSMA/CD Carrier Sense Multiple Access/Collision Detection



LAN Switched Communication

- Hosts A and C communicate (abstraction)



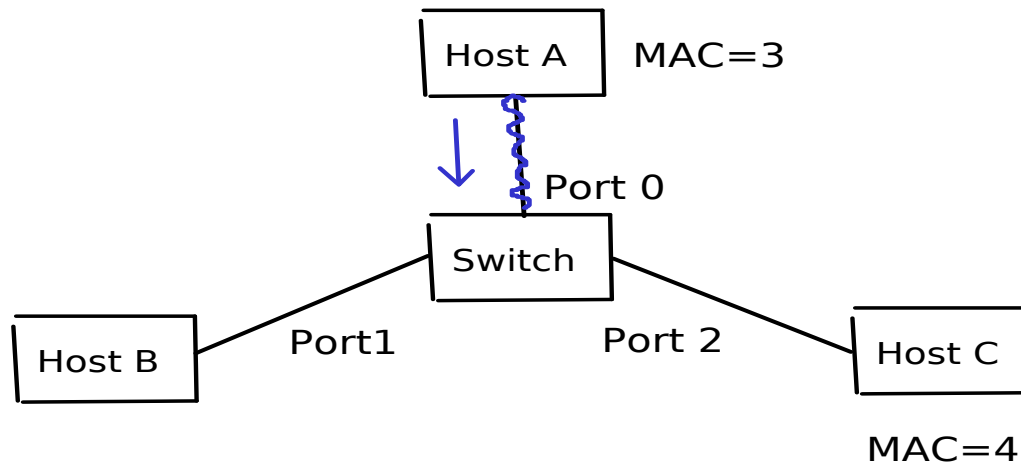
Full Duplex
No collisions

Switch Data Structure

MAC	PORT

LAN Switched Communication cont.

- Hosts A and C communicate (abstraction)



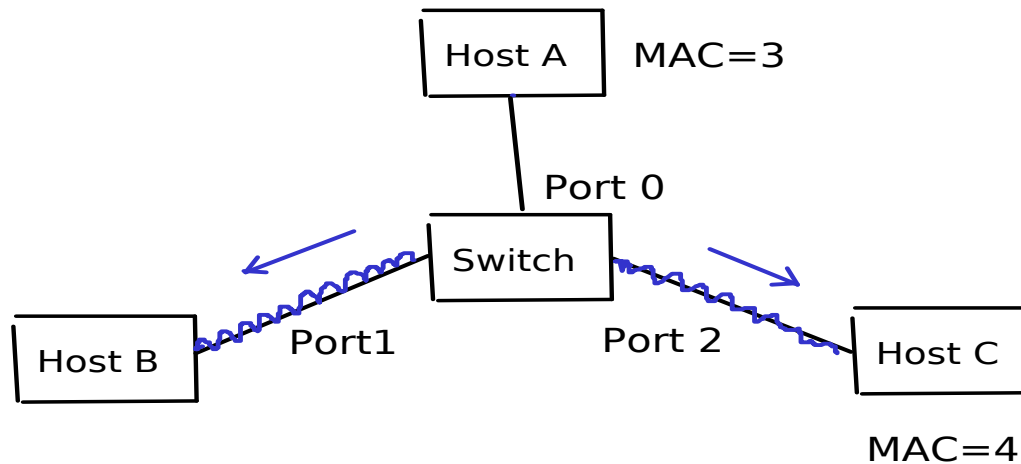
Full Duplex
No collisions

Switch Data Structure

MAC	PORT
3	0

LAN Switched Communication cont.

- Hosts A and C communicate (abstraction)



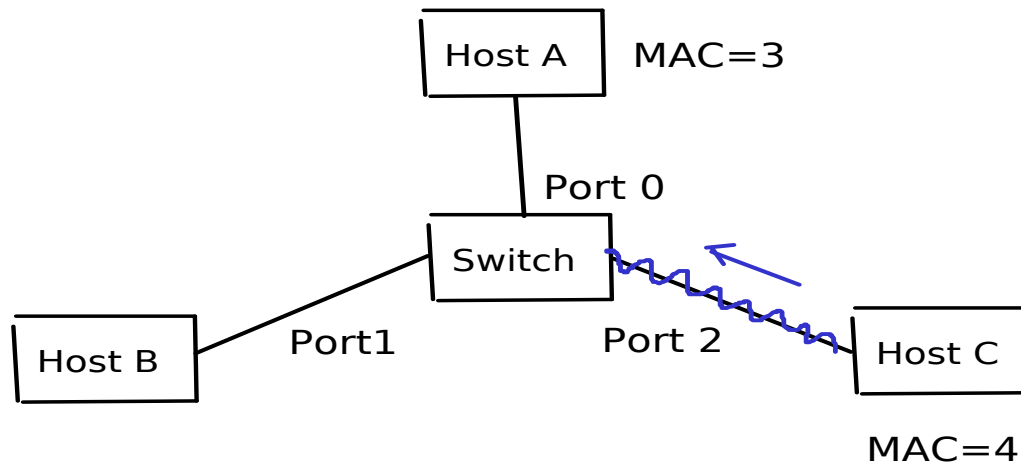
Full Duplex
No collisions

Switch Data Structure

MAC	PORT
3	0

LAN Switched Communication cont.

- Hosts A and C communicate (abstraction)



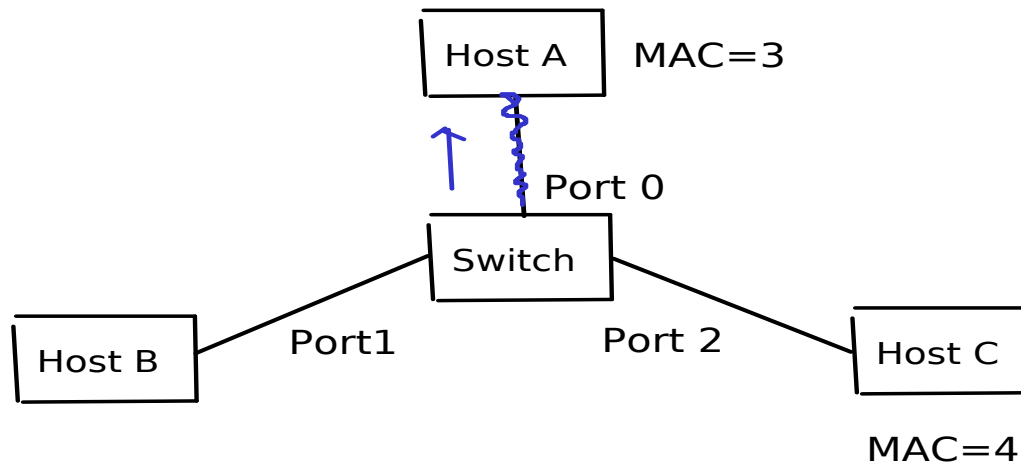
Full Duplex
No collisions

Switch Data Structure

MAC	PORT
3	0
4	2

LAN Switched Communication cont.

- Hosts A and C communicate (abstraction)

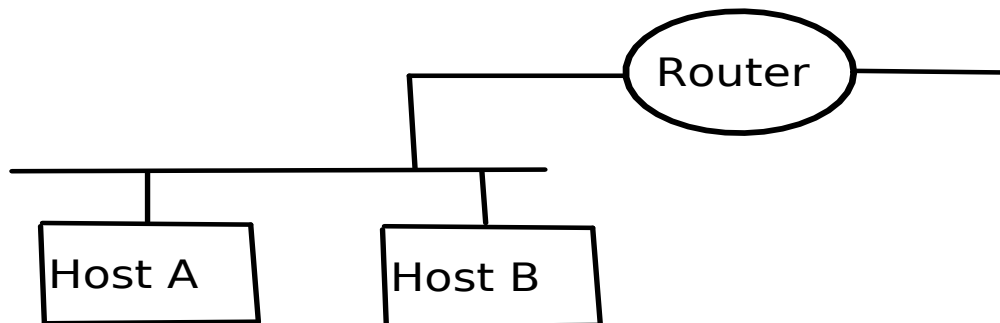
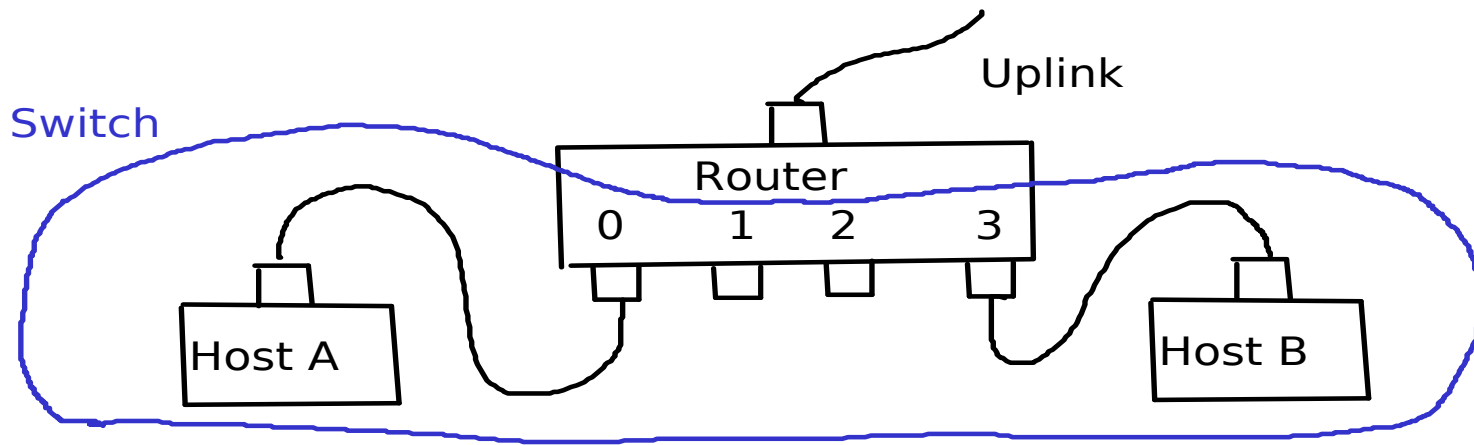


Full Duplex
No collisions

Switch Data Structure

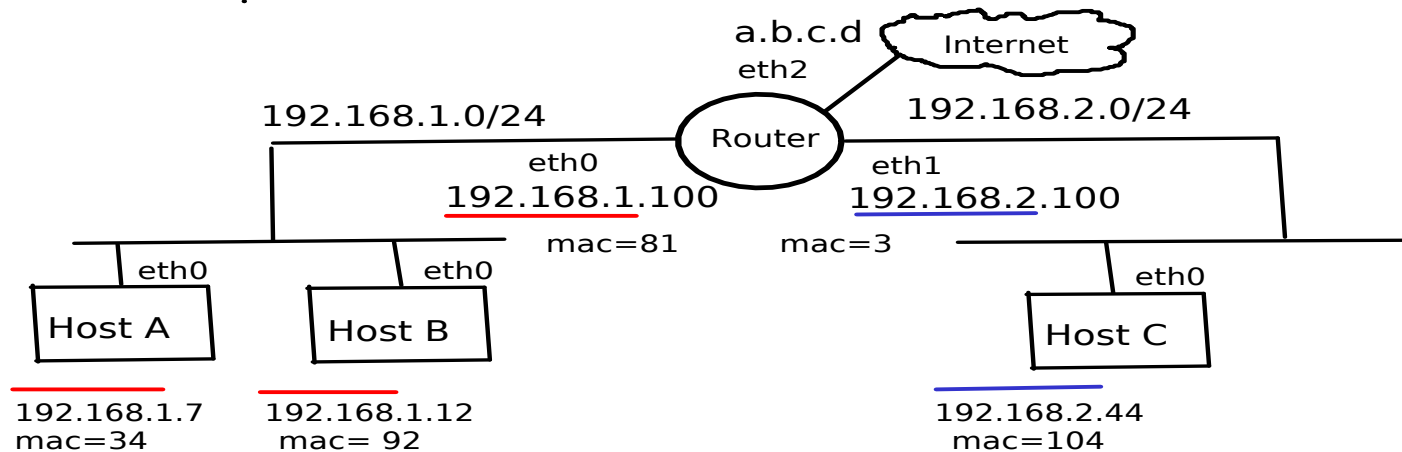
MAC	PORT
3	0
4	2

Routers



Internet Communication

- Hosts A and C communicate (abstraction)



Host A's Routing Table

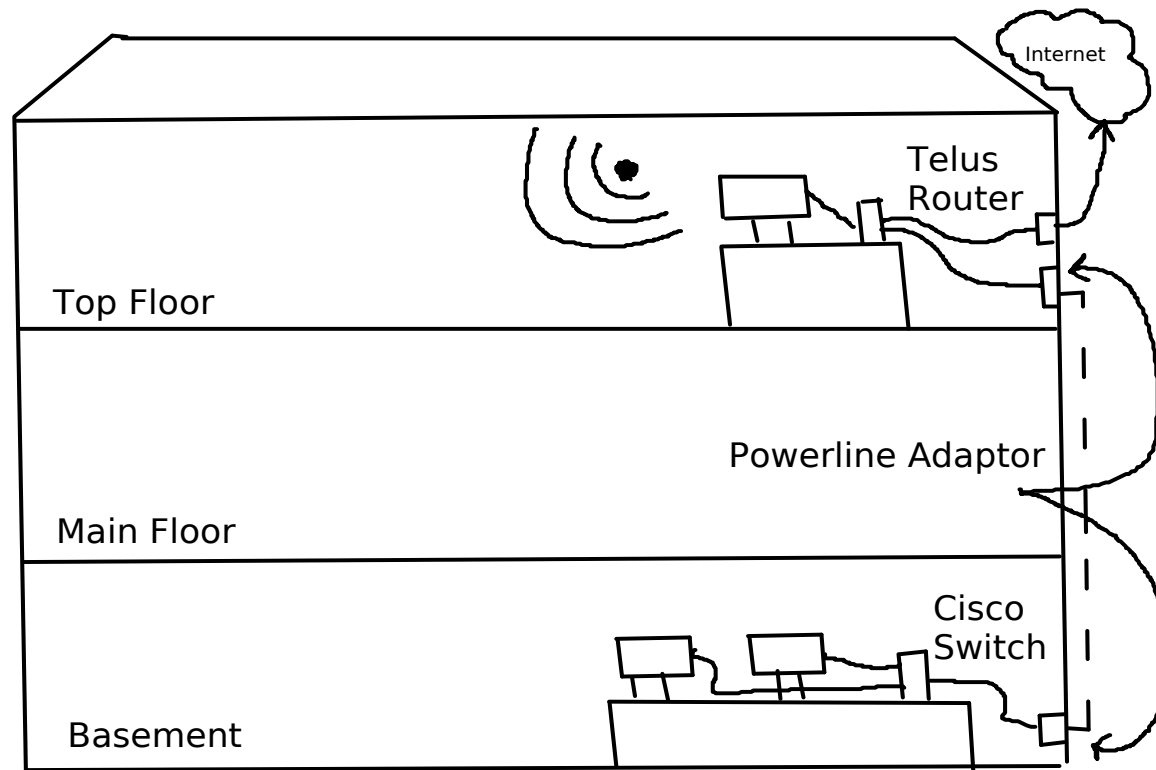
Network	Gateway	Interface
192.168.1.7	0.0.0.0	lo
192.168.1	0.0.0.0	eth0
0.0.0.0	192.168.1.100	eth0

Router R's Routing Table

Network	Gateway	Interface
192.168.1.100	0.0.0.0	lo
192.168.2.100	0.0.0.0	lo
192.168.1	0.0.0.0	eth0
192.168.2	0.0.0.0	eth1
0.0.0.0	a.b.c.d	eth2

Home Office

- poor wifi signal in basement



Home Office cont.

- one LAN architecture

